



STAINLESS STEEL AISI 316 PRESSURE TANKS

Costruzione / construction

Acciaio Inox AISI 316L / Stainless Steel AISI 316L

Finitura / finish

Decapaggio e passivazione / pickling and passivation

Saldature / welding

MIG (Metal Inert Gas)

Connessione / connection

2" 1/2 NPT

Pressione massima / maximum pressure

10 Bar

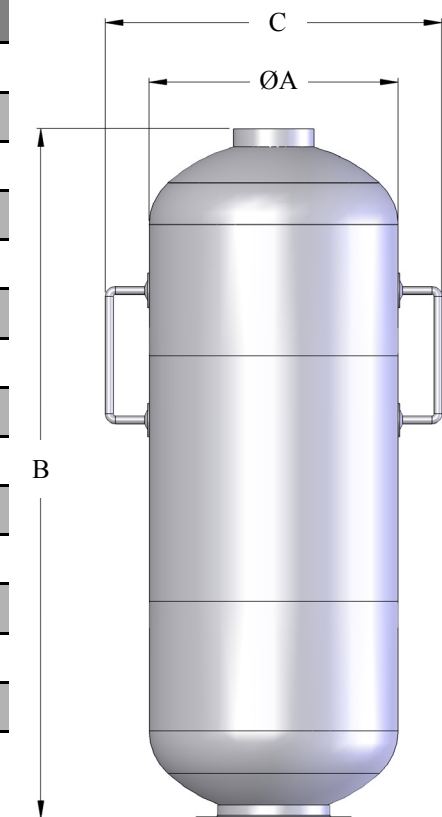
Temperatura massima / maximum temperature

100° C

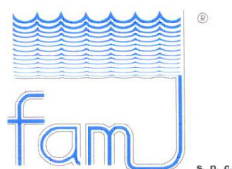
Modello / Model	V (Lt) ⁽¹⁾	A (mm)	B (mm)	C (mm)	P (Kg) ⁽²⁾
SS316 PRESSURE TANK Ø 253x453	19	253	453	342	5,5
SS316 PRESSURE TANK Ø 253x703	31	253	703	342	8
SS316 PRESSURE TANK Ø 253x753	34	253	753	342	8,5
SS316 PRESSURE TANK Ø 253x803	36	253	803	342	9
SS316 PRESSURE TANK Ø 253x953	44	253	953	342	10
SS316 PRESSURE TANK Ø 253x1453	68	253	1453	342	15
SS316 PRESSURE TANK Ø 253x1703	81	253	1703	342	17
SS316 PRESSURE TANK Ø 292x511	23	292	511	381	7
SS316 PRESSURE TANK Ø 292x611	30	292	611	381	8,5
SS316 PRESSURE TANK Ø 292x761	40	292	761	381	10
SS316 PRESSURE TANK Ø 292x1261	73	292	1261	381	15,5
SS316 PRESSURE TANK Ø 292x1511	85	292	1511	381	18

⁽¹⁾ volume interno / internal volume

⁽²⁾ peso / weight



Dimensioni / Dimentions



FAM Water Tecnology

Via Aurelia Antica, 42 - 58100 GROSSETO - ITALY

Tel. +39 0564 416409 - Fax +39 0564 26347

www.fam-wt.it - email: info@fam-wt.it